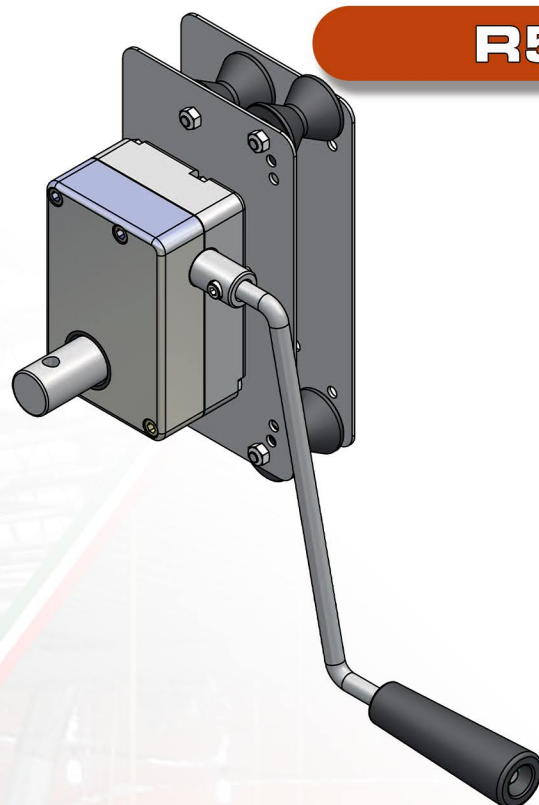


MANUAL GEAR R5

Gearbox with reduction 1:5, self-breaking, coupled with a sliding guide for vertical tube $\varnothing 27/32/33$; it has been devised for roll-up walls in plastic. Its gears are mounted on ball bearings, its shaft and crank handle are in stainless steel. Of limited size, it can be applied on any type of structure and does not need particular maintenance. Maximum advised length is 30/35 m.

REDUCTION	1-5
INPUT TORQUE	Nm 8
OUTPUT TORQUE	Nm 30
MAX LENGTH WITH PIPE 27	35
MAX LENGTH WITH PIPE 60	25
WEIGHT GEAR	3,6 kg



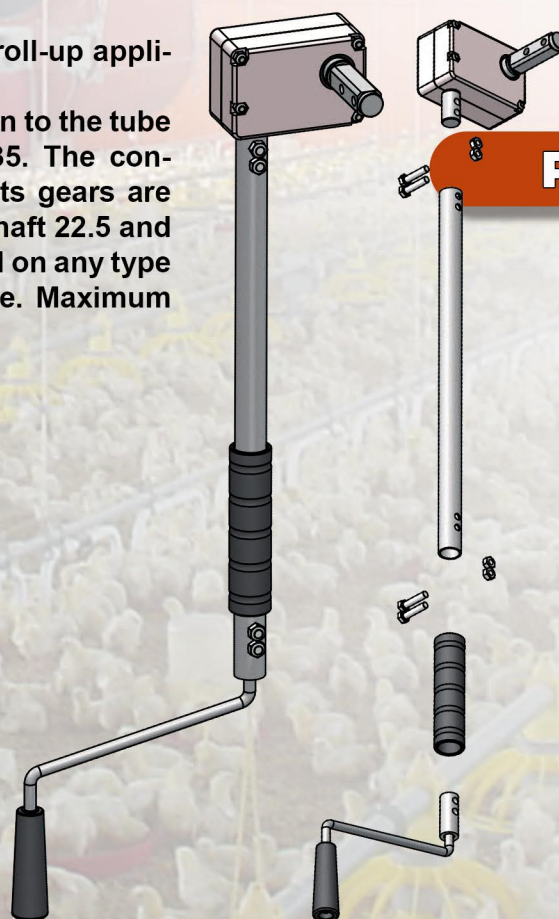
R5

MANUAL GEAR R5 DIRECT

Gearbox with reduction 1:5, self-breaking, devised for roll-up applications without sliding guide for tube.

It is formed by a gearbox with worm screw for connection to the tube and by a kit with crank handle and universal grip $\varnothing 35$. The connection tube (not included) must be of fitting length. Its gears are mounted on ball bearings, it has an aluminum square shaft 22.5 and stainless steel handle. Of compact size, it can be applied on any type of structure and does not need particular maintenance. Maximum advised length is 30/35 m.

REDUCTION	1-5
INPUT TORQUE	Nm 8
OUTPUT TORQUE	Nm 30
MAX LENGTH WITH PIPE 27	30
MAX LENGTH WITH PIPE 60	20/25
WEIGHT GEAR	3,4 kg



R5D