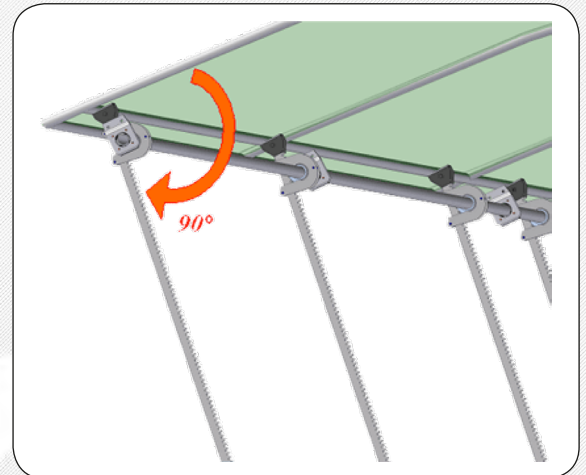


# TECHNICAL INFO

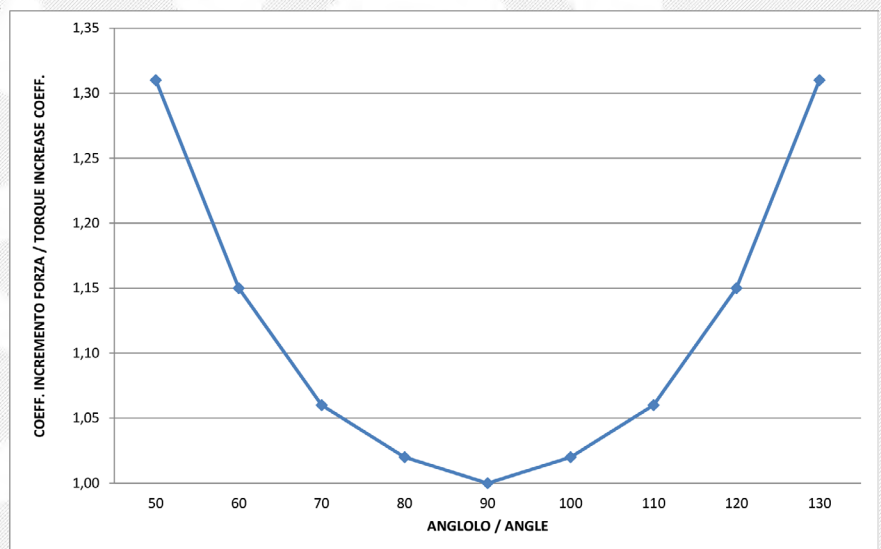
## RACK MOUNTING CONFIGURATION

Racks mounting configuration: the optimal position is for the rack to form an angle close to 90° with the closed vent. Either a bigger or a smaller angle will cause the gearmotor to increase the used force in opening the vent. Refer to the below graph and table that summarize the data's variation.

For a more detailed analysis, do not hesitate to contact our Technical service



ANGOLO (gradi) ANGLE (deg)	COEFFICIENTE INCREMENTO FORZA / TORQUE
50	1,31
60	1,15
70	1,06
80	1,02
90	1,00
100	1,02
110	1,08
120	1,15
130	1,31



## DISTANCE BETWEEN HINGE AND RACK

Another factoring element the installation operator needs to consider is the distance between hinge and rack. As shown in the below picture, the bigger the distance "B" the smaller the force the gearmotor will need to use opening the vent.

Below an explanatory graph.

