

# RACK SERIES CDAD

## metal sheet thickness 2 mm

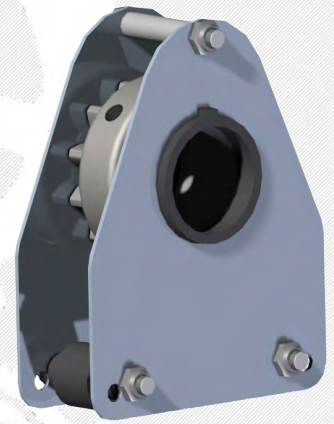
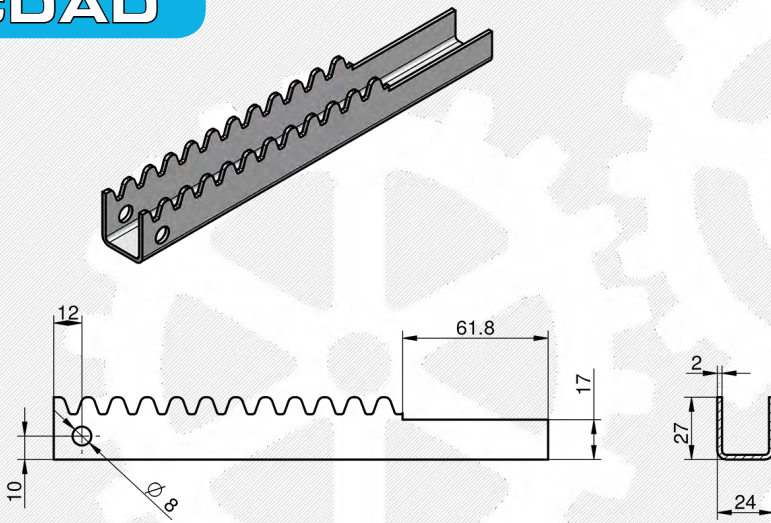
U-profile Rack with double toothed edges in steel DX51D+Z275, 2 mm thickness, and cold-profiling manufactured. The rounded tooth limits the wearing out and reduces the friction between rack and pinion.

The pinion cage, made in galvanized sheet, has 3 locking points that guarantee a firm fastening; its 2 rollers make for smoother sliding of the bar. The pinion, in self-lubricating synthesized material, is fastened to the driving tube by 2 set of screws 8x12.

The high-precision manufacturing of the bar profile, makes this rack and excellent product for those who want a high value for money. Our CDAD rack is ideal for vents of small or medium dimensions. Its lengths go from 600 mm up to 1600 mm [straight or curved].

**CDAD**

**TOGETHER WITH**



| CODE / MODEL / LENGTH |               |                      |                      |
|-----------------------|---------------|----------------------|----------------------|
| LENGTH                | STRAIGHT RACK | EXTERNAL CURVED RACK | INTERNAL CURVED RACK |
| 785                   | CDAD 431/00   | CDAD 531/00          | CDAD 631/00          |
| 874                   | CDAD 431/01   | CDAD 531/01          | CDAD 631/01          |
| 961                   | CDAD 431/02   | CDAD 531/02          | CDAD 631/02          |
| 1045                  | CDAD 431/03   | CDAD 531/03          | CDAD 631/03          |
| 1136                  | CDAD 431/04   | CDAD 531/04          | CDAD 631/04          |
| 1225                  | CDAD 431/05   | CDAD 531/05          | CDAD 631/05          |
| 1313                  | CDAD 431/06   | CDAD 531/06          | CDAD 631/06          |
| 1401                  | CDAD 431/07   | CDAD 531/07          | CDAD 631/07          |
| 1490                  | CDAD 431/08   | CDAD 531/08          | CDAD 631/08          |
| 1580                  | CDAD 431/09   |                      |                      |
| 1665                  | CDAD 431/10   |                      |                      |