

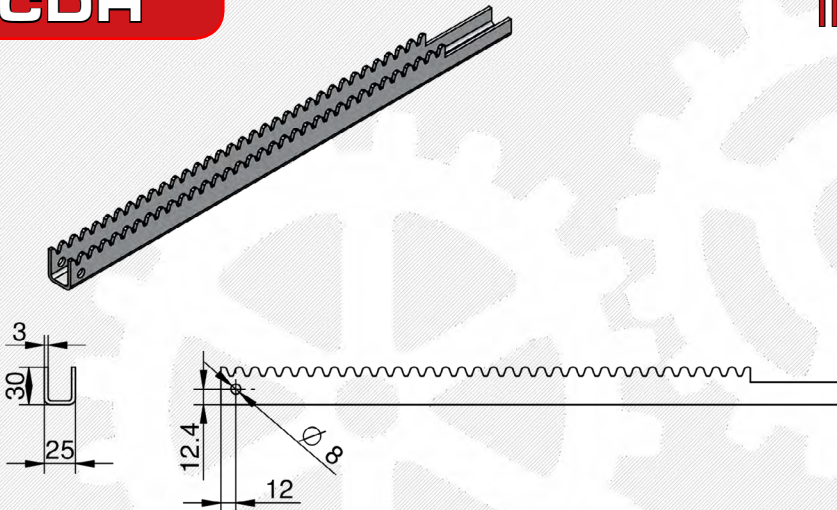
# RACKS SERIES CDH

## metal sheet thickness 3 mm

U-Profile Rack with double toothed edges in steel DX51D+Z275, 3 mm thickness, and cold-profiling manufactured. The rounded tooth limits the wearing out and reduces the friction between rack and pinion. The pinion cage, made in galvanized sheet, has 3 locking points that guarantee a firm fastening; its 2 rollers make for a smoother sliding of the bar. The pinion, in self-lubricating synthesized material, is fastened to the driving tube by 2 set of screws 8x12. The high-precision manufacturing of the bar profile makes this rack an excellent product for those who want high performances. Our CDH Rack is ideal for vents of medium or large dimensions for a higher resistance to the buckling point. Its lengths go from 600mm up to 5000mm (straight or curved); maximum curve's length: 1500mm.

**CDH**

**IN ABBINAMENTO**



CODE / MODEL / LENGTH			
LENGTH	STRAIGHT RACK	EXTERNAL CURVED RACK	INTERNAL CURVED RACK
785	CDH 431/00	CDH 531/00	CDH 631/00
874	CDH 431/01	CDH 531/01	CDH 631/01
961	CDH 431/02	CDH 531/02	CDH 631/02
1045	CDH 431/03	CDH 531/03	CDH 631/03
1136	CDH 431/04	CDH 531/04	CDH 631/04
1225	CDH 431/05	CDH 531/05	CDH 631/05
1313	CDH 431/06	CDH 531/06	CDH 631/06
1401	CDH 431/07	CDH 531/07	CDH 631/07
1490	CDH 431/08	CDH 531/08	CDH 631/08
1580	CDH 431/09		
1665	CDH 431/10		
1757	CDH 431/11		
1841	CDH 431/12		
2017	CDH 431/14		
2115	CDH 431/15		
2370	CDH 431/17		
2460	CDH 431/19		
2720	CDH 431/22		
2810	CDH 431/23		
3070	CDH 431/26		
3335	CDH 431/29		
3435	CDH 431/30		
4050	CDH 431/37		
4222	CDH 431/39		
4580	CDH 431/43		
5025	CDH 431/44		