

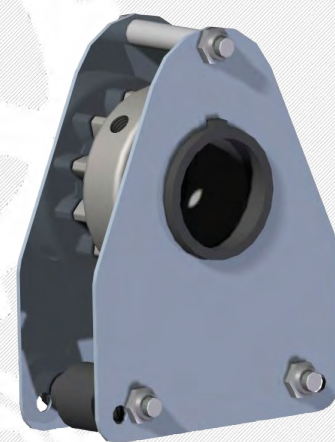
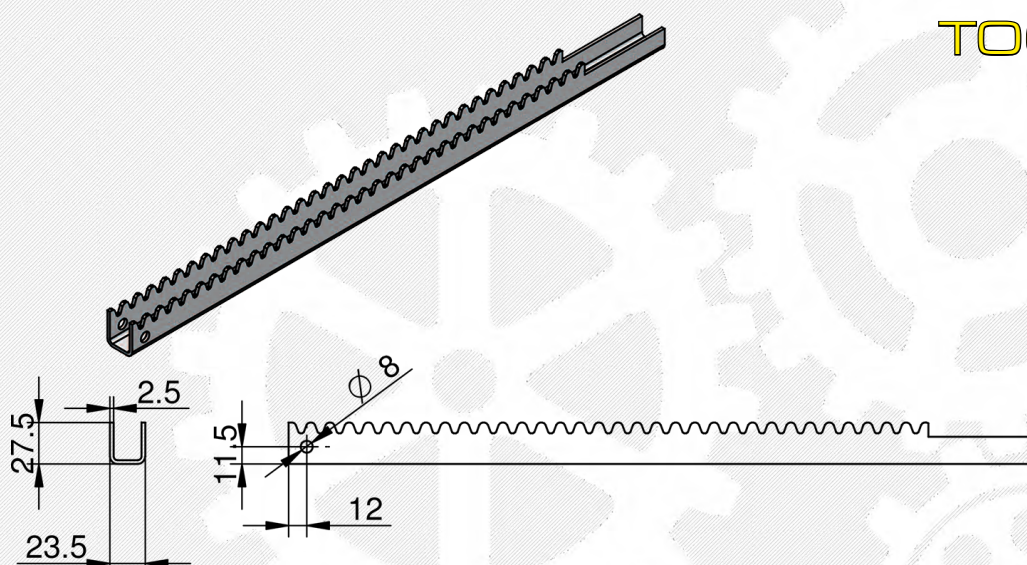
RACKS SERIES CD

metal sheet thickness 2,5 mm

U-Profile Rack with double toothed edges in steel DX51D+Z275, 2.5 mm thickness, and cold-profiling manufactured. The rounded tooth limits the wearing out and reduces the friction between rack and pinion. The pinion cage, made in galvanized sheet, has 3 locking points that guarantee a firm fastening; its 2 rollers make for a smoother sliding of the bar. The pinion, in self-lubricating synthesized material, is fastened to the driving tube by 2 set of screws 8x12. The high-precision manufacturing of the bar profile makes this rack an excellent product for those who want a high value for money. Our CD Rack is ideal for vents of medium or large dimensions. Its lengths go from 600mm up to 3000mm (straight or curved); maximum curve's length: 1500mm.

CD

TOGETHER WITH



| CODE / MODEL / LENGTH | | | |
|-----------------------|---------------|----------------------|----------------------|
| LENGTH | STRAIGHT RACK | EXTERNAL CURVED RACK | INTERNAL CURVED RACK |
| 785 | CD 431/00 | CD 531/00 | CD 631/00 |
| 874 | CD 431/01 | CD 531/01 | CD 631/01 |
| 961 | CD 431/02 | CD 531/02 | CD 631/02 |
| 1045 | CD 431/03 | CD 531/03 | CD 631/03 |
| 1136 | CD 431/04 | CD 531/04 | CD 631/04 |
| 1225 | CD 431/05 | CD 531/05 | CD 631/05 |
| 1313 | CD 431/06 | CD 531/06 | CD 631/06 |
| 1401 | CD 431/07 | CD 531/07 | CD 631/07 |
| 1490 | CD 431/08 | CD 531/08 | CD 631/08 |
| 1580 | CD 431/09 | | |
| 1665 | CD 431/10 | | |
| 1757 | CD 431/11 | | |
| 1841 | CD 431/12 | | |
| 2017 | CD 431/14 | | |
| 2115 | CD 431/15 | | |
| 2370 | CD 431/17 | | |
| 2460 | CD 431/19 | | |
| 2720 | CD 431/22 | | |
| 2810 | CD 431/23 | | |
| 3070 | CD 431/26 | | |