

GEAR MOTORS SERIES DVE2

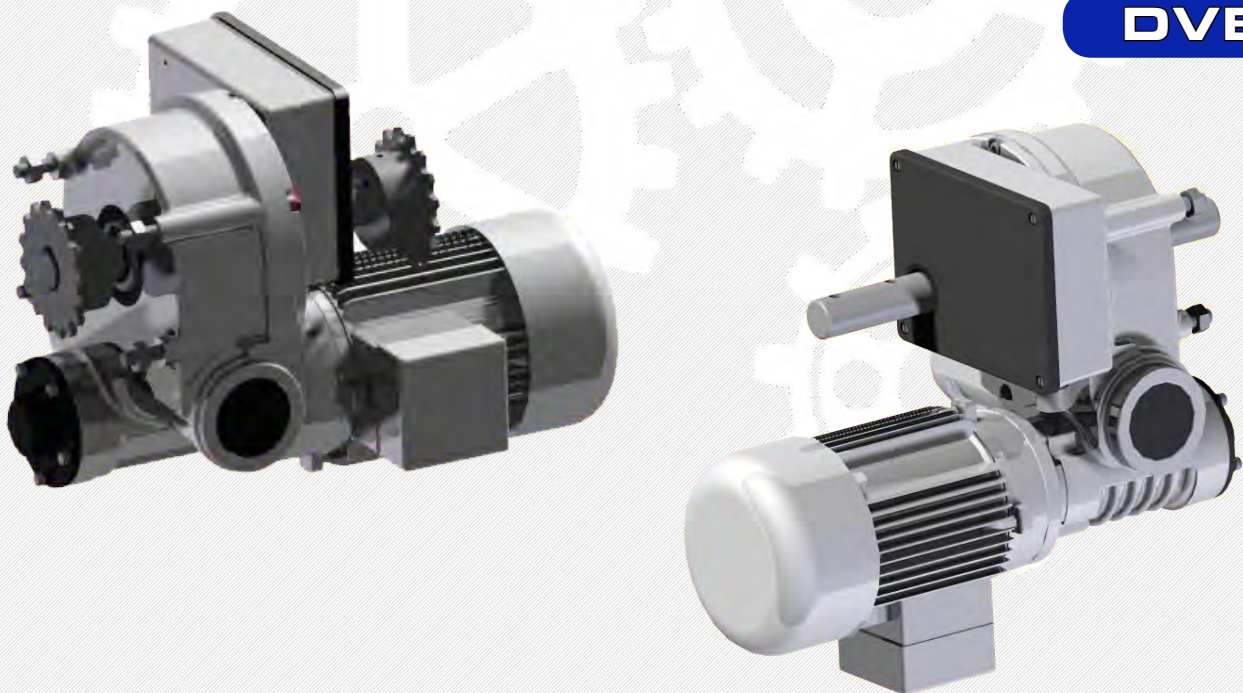


Integrated gear motor with compact design fit for windows of medium/large dimension structures. It is available in the speed 1.7 RPM or 2.5 RPM version. Its compact size allows for an easy mounting on every sort of structure.

The gear motor comes with a Ø27 stainless-steel shaft in several solutions: with direct connection to the operating tube, with double chain coupling, or shaft for cable pulleys. It is supplied with a limit switch with double safety micro-sensor to avoid phase reversal. The limit switch can be regulated externally and, on request, it can be supplied with potentiometer.

On customer's demand, the limit switch can be set to operate at 15-30-45 shaft revolutions per minute. The gearbox is in sanblasted aluminum and its components stud/wheel are mounted on bearings. The gear motor is furnished with a hex socket screw that allows the manual use of the unit, in case of blackout, with a battery-operated screwdriver.

The equipped standard motors work with 50-60 Hz frequency, can be supplied with the UL/CSA Certification and/or in single phase power with double capacitor or circuit breaker for a higher starting current.



DVE2

The electric motors used by Viale Sistemi comply with CE regulations and are considered duty Type S3 - 70% (intermittent periodic duty) in compliance with the classification of new Std. IEC 60034-1.

CODE/PRODUCT	3 Ph - 50 Hz / 60 Hz					
	kW	A	V	RPM	Nm	kg
DVE2*1450-.....	0.37	1.2	230-440	2.6	400	20
DVE2*1475-.....	0.55	1.7	230-440	2.6	440	20
DVE2*141-.....	0.75	2.1	230-440	2.6	490	22
DVE2*950-.....	0.37	1.2	230-440	1.7	440	22

CODE/PRODUCT	1 Ph - 50 Hz					
	kW	A	V	RPM	Nm	kg
DVE2*1450M-.....	0.37	3.2	230	2.6	350	22
DVE2*141M-.....	0.75	5	230	2.6	430	22