

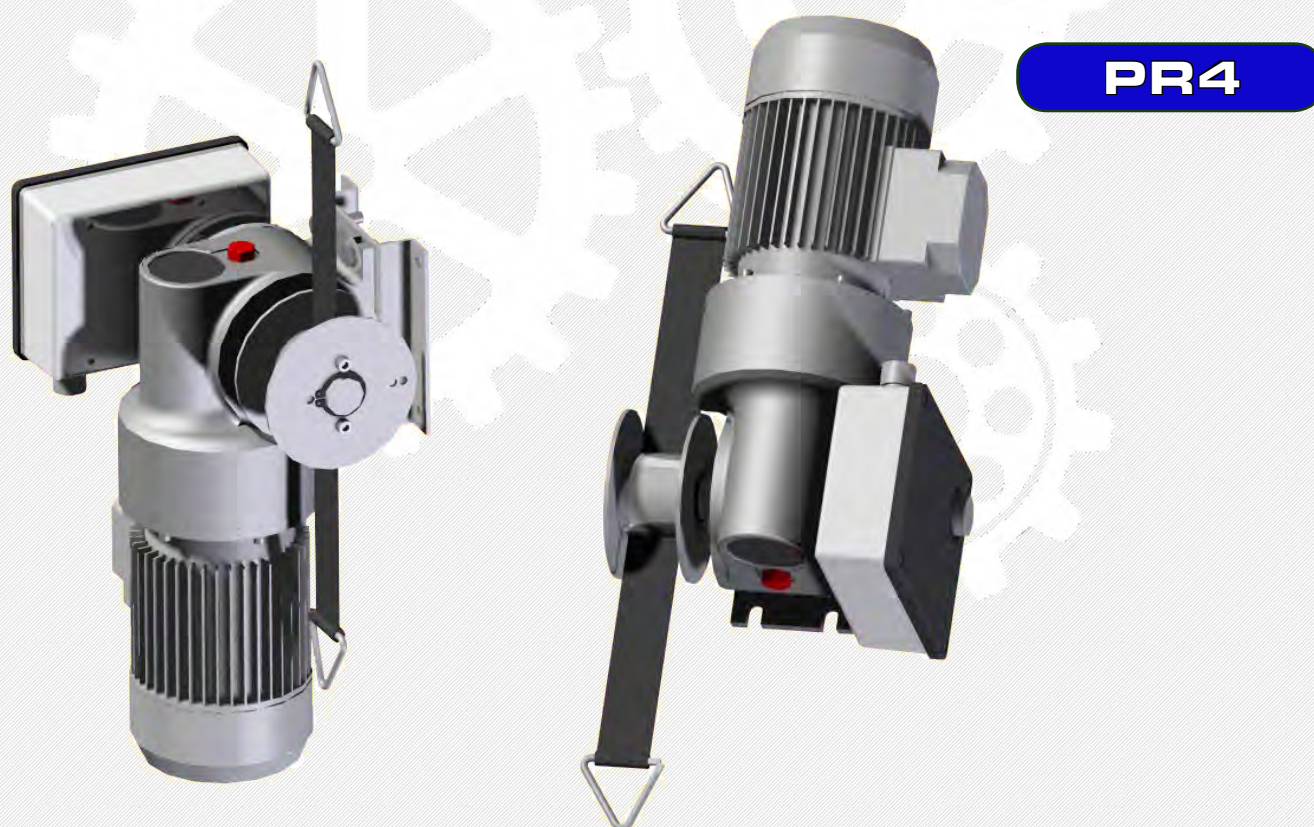
GEAR MOTORS SERIES PR4



Last born of the PR family, it is ideal when shaft's low velocity is needed; for use in animal farming applied to tilting windows, "up and down" windows or pulley hoisting. Its compact design and size make it fit for any type of structure. The gear motor comes with a $\varnothing 27$ stainless-steel shaft in various solutions: with direct connection to the roll-up tube, with double chain coupling, or with present connections for single, double or strap pulleys. It is supplied with a limit switch with double safety micro-sensor to avoid phase reversal. The limit switch can be regulated externally and, on request, it can be supplied with potentiometer.

On customer's demand, the equipped limit switch can operate at 15-30-45 shaft revolutions per minute. The gearbox is in sandblasted aluminum and its components stud/wheel are mounted on bearings. The gear motor is furnished with a hex socket screw that allows the manual use of the unit, in case of blackout, with a battery-operated screwdriver.

The equipped standard motors work with 50-60 Hz frequency, can be supplied with the UL/CSA Certification and/or in single-phase power with double capacitor or circuit breaker for a higher starting current.



The electric motors used by Viale Sistemi comply with CE regulations and are considered duty Type S3 - 70% (intermittent periodic duty) in compliance with the classification of new Std. IEC 60034-1.

CODE/PRODUCT	3 Ph - 50 Hz / 60 Hz					
	kW	A	V	RPM	Nm	kg
PR4*1435-.....	0.25	0.9	230-440	1.2	280	14

CODE/PRODUCT	1 Ph - 50 Hz					
	kW	A	V	RPM	Nm	kg
PR4*1450-.....	0.37	3.9	230	1.2	280	15