

TELESCOPIC ARMS



BT10

BT15

BT24

BT35

BT45



GREENHOUSES



TUNNEL



MULTI TUNNEL



POULTRY FARMS



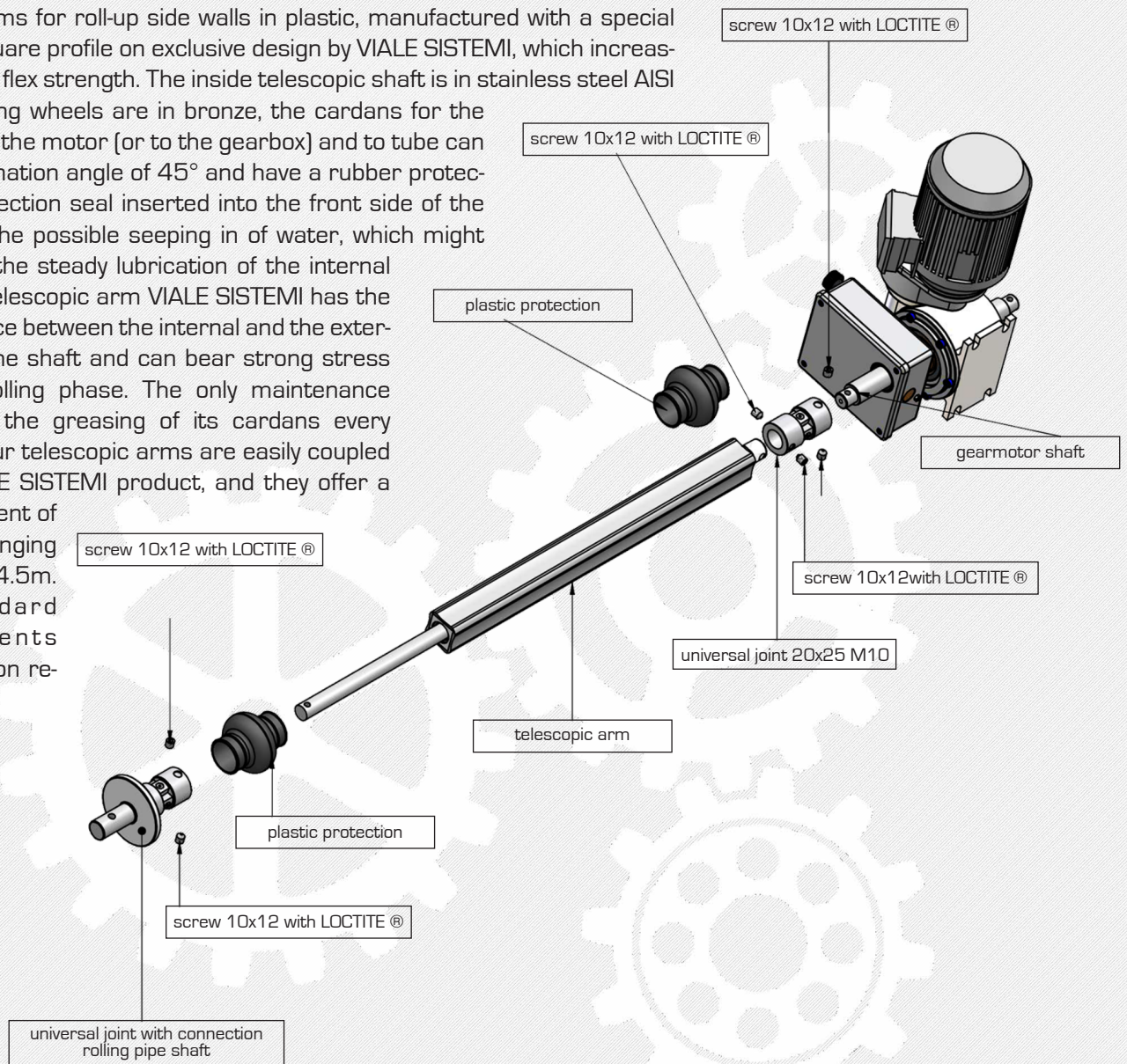
VIALE SISTEMI

Since 1959

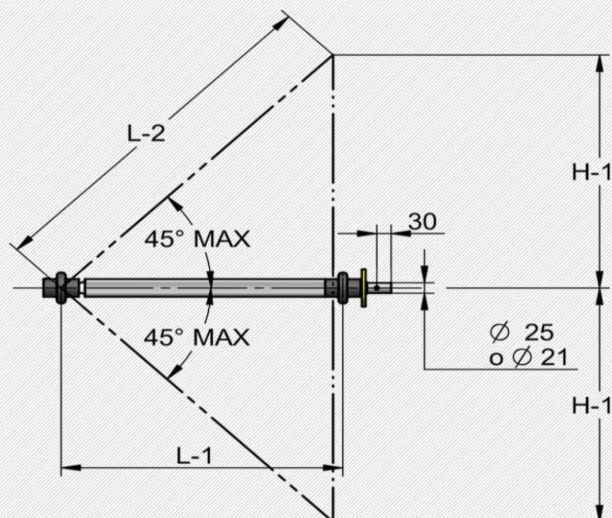
Drive equipment for Greenhouses & Poultry Farms

TELESCOPIC ARMS

Telescopic arms for roll-up side walls in plastic, manufactured with a special aluminium square profile on exclusive design by VIALE SISTEMI, which increases torque and flex strength. The inside telescopic shaft is in stainless steel AISI 304, the sliding wheels are in bronze, the cardans for the connection to the motor (or to the gearbox) and to tube can reach an inclination angle of 45° and have a rubber protection. The protection seal inserted into the front side of the shaft avoids the possible seeping in of water, which might compromise the steady lubrication of the internal wheels. The telescopic arm VIALE SISTEMI has the optimal balance between the internal and the external parts of the shaft and can bear strong stress during the rolling phase. The only maintenance necessary is the greasing of its cardans every 2/3 years. Our telescopic arms are easily coupled with any VIALE SISTEMI product, and they offer a wide assortment of openings ranging from 1m to 4.5m. Out-of-standard measurements are available on request.

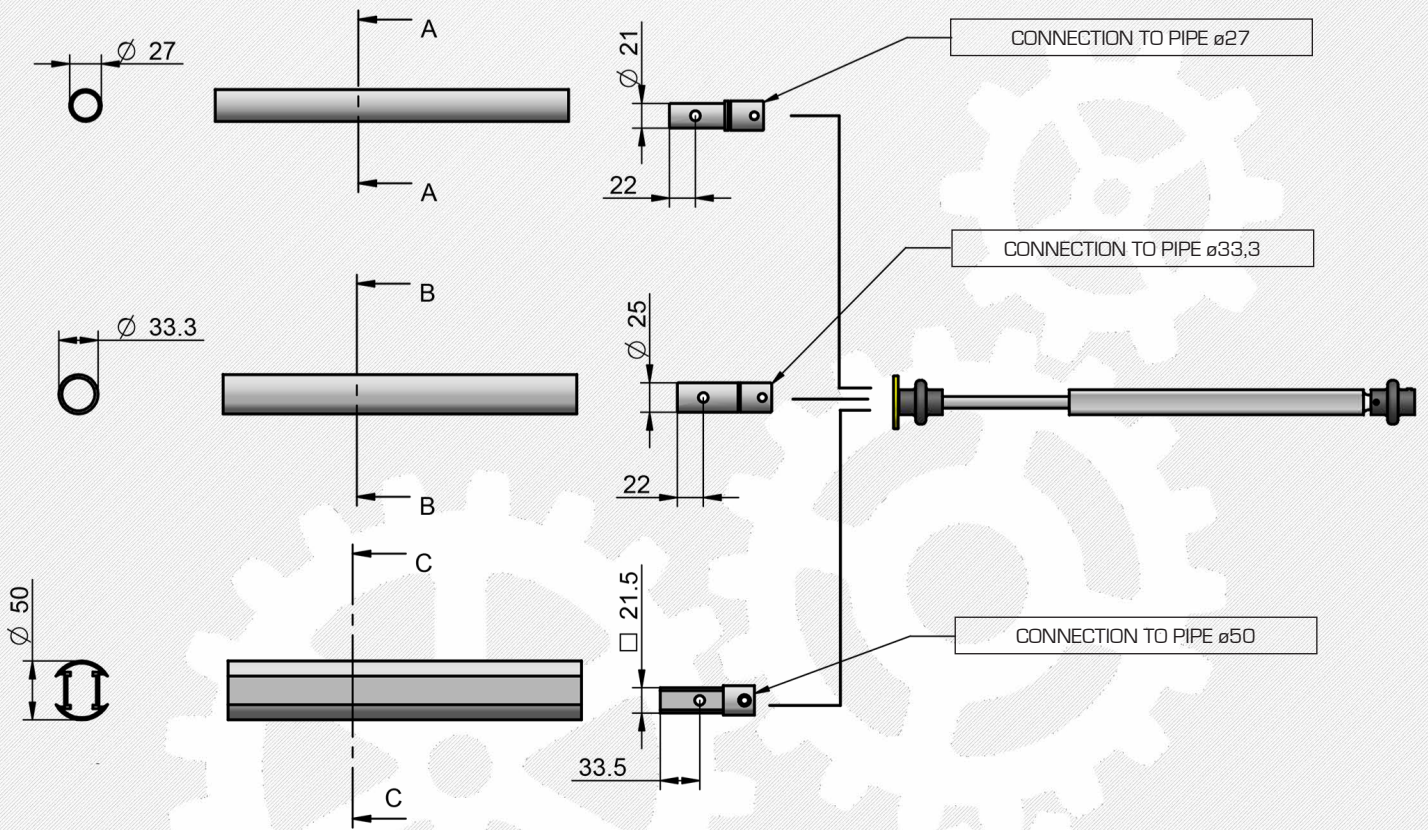


TELESCOPIC ARMS SIZES

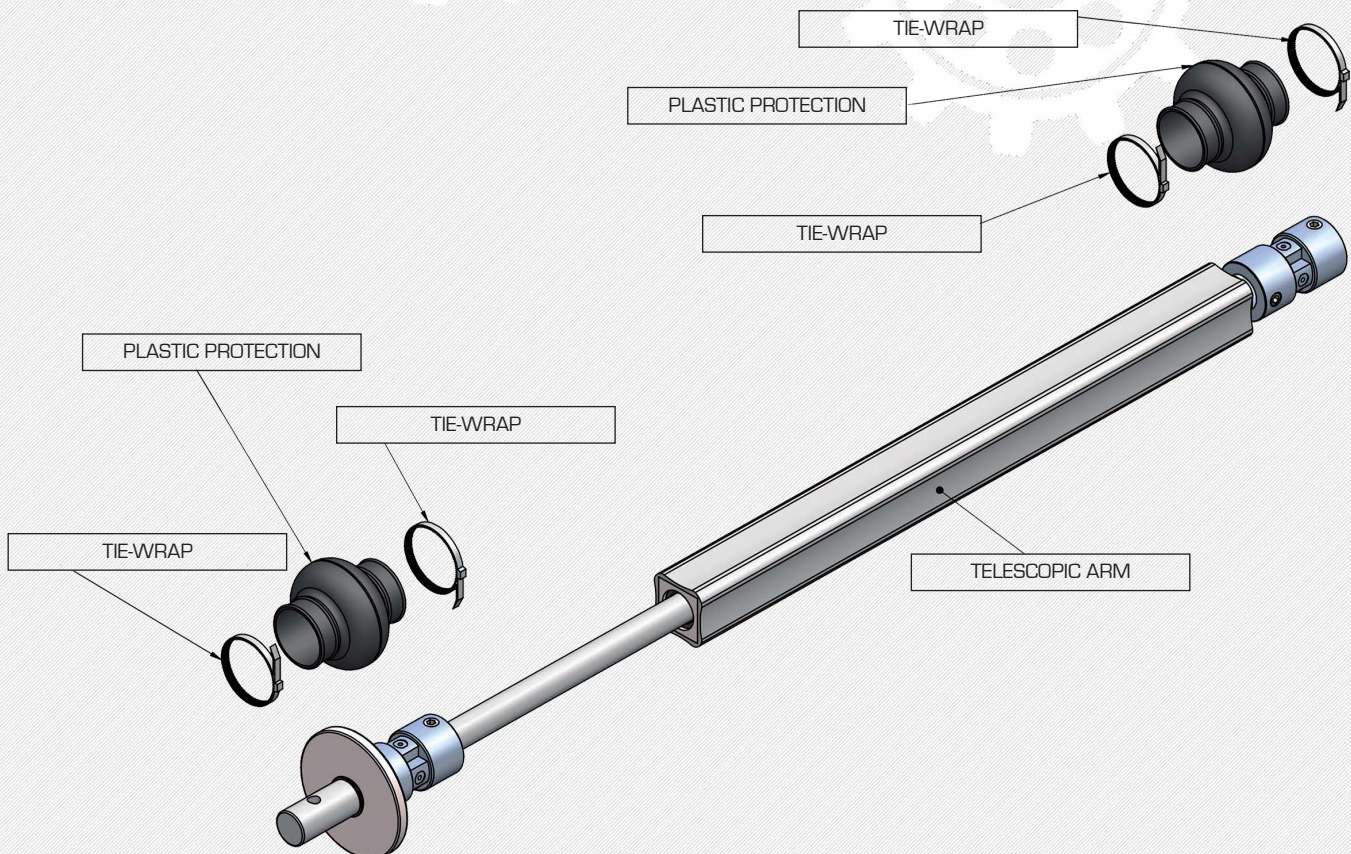


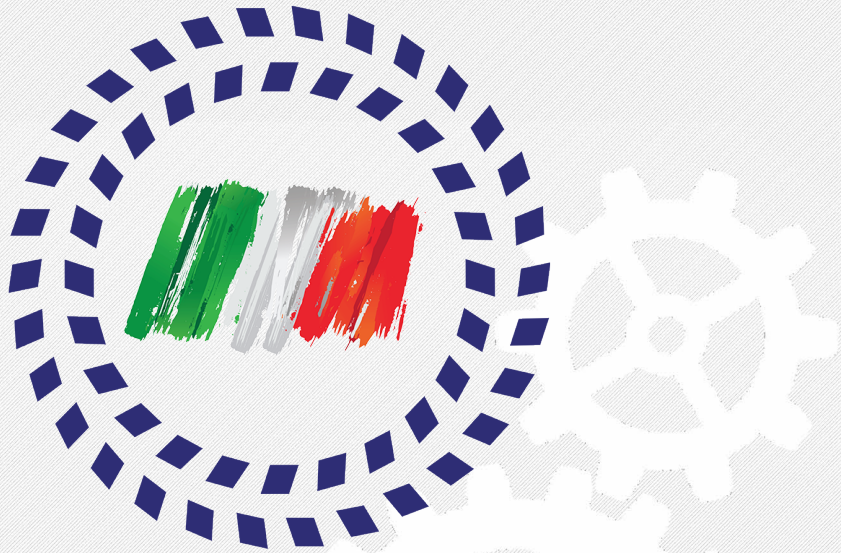
TYPE / CODE	L1	L2	(H-1+H-1)=H2
	CLOSE	OPEN	MAX HEIGHT
BT10-3	585.5	800	1088 mm
BT15-3	1086.5	1415	1810 mm
BT25-3	1386.5	1872	2510 mm
BT35-3	1886.5	2625	3650 mm
BT45-3	2186.5	3125	4465 mm

CONNECTION PIPE FOR ROLLING SYSTEM



ASSEMBLY INSTRUCTIONS





VIALE SISTEMI

CONTACTS

VIALE SISTEMI SRL headquarters and production plant Via del Piano, 72 18018 Taggia - IM ITALY	TEL: +39 0184 476420	national sales office: stefania.viale@vialesistemi.com export office: info@vialesistemi.com technical dept.: massimo.digitali@vialesistemi.com shipping support: logistica@vialesistemi.com
SALES AREA MANAGER SPAIN AND PORTUGAL - Ing. Pascual Sanz Tortosa	TEL: +34 629 539415	vialeiberica@vialesistemi.com
AGROSISTEMAS VIALE S DE RL DE CV Carr. Calpulalpan-Texcoco Km 23,6 Co. Xala; 56217 Texcoco, Edo. De Mexico MEXICO	TEL: +52 55 13209353	ventas@agrosistemasviale.com tecnico@agrosistemasviale.com
VIALE SISTEMI East Europe sp. z o.o UL. DRZYMALY 135A 41-407 IMIELIN POLAND	TEL: +48 606 385 832	easteurope@vialesistemi.com



facebook.com/vialesistemidivesystems



linkedin.com/company/viale-sistemi-drive-systems

DISTRIBUTORS / DEALERS

Quality System Certificate



0868/5

IT-3943

VIALE SISTEMI SRL REV.2 - 05/2021

Quality System Certificate



VIALE SISTEMI

WWW.VIALESISTEMI.COM