

SLIDING GUIDE

Our sliding guide fits on tubes of different sizes: $\varnothing 27$, $\varnothing 32$ and $\varnothing 33$.

It is easy to install and it suits any type of structure.

It can be used with all models of Viale Sistemi gearmotors and manual gears.

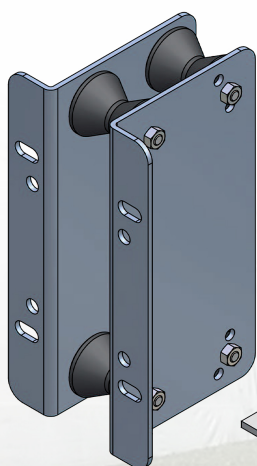
It does not need maintenance.

Rollers in self-lubricating material.

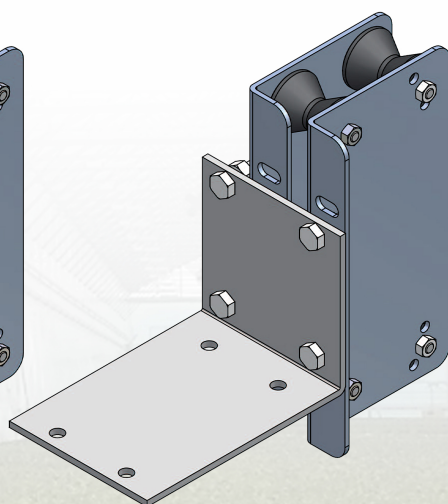
Competitive price for roll-up side walls (fabric or plastic film) for small or medium size greenhouses or structures.

Apply a counterbalance in order to avoid roll-up delays of the tube caused by the gearmotor's weight.

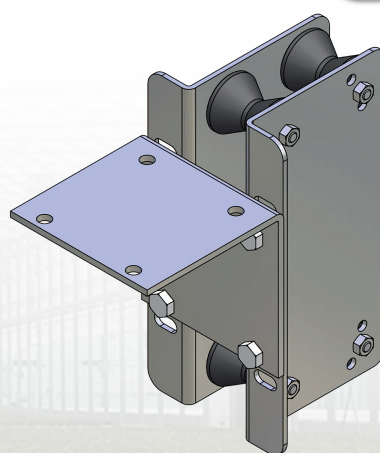
**SLIDING
GUIDE**



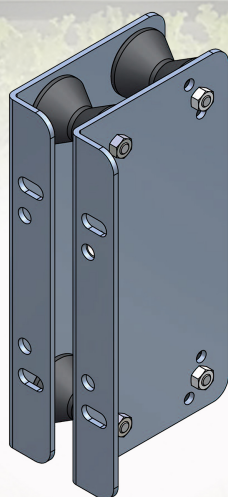
**SLIDING GUIDE
FOR R8/R16
WITH CRANK
HANDLE**



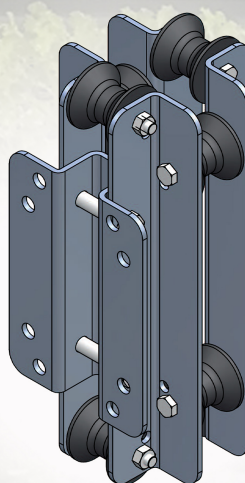
**SLIDING GUIDE
FOR R20/R40
WITH CRANK
HANDLE**



**SLIDING GUIDE
FOR R8/R16
WITH HOOK**



**SLIDING GUIDE
FOR R20/R40
WITH HOOK**



**SLIDING GUIDE
FOR GEAR MOTORS**