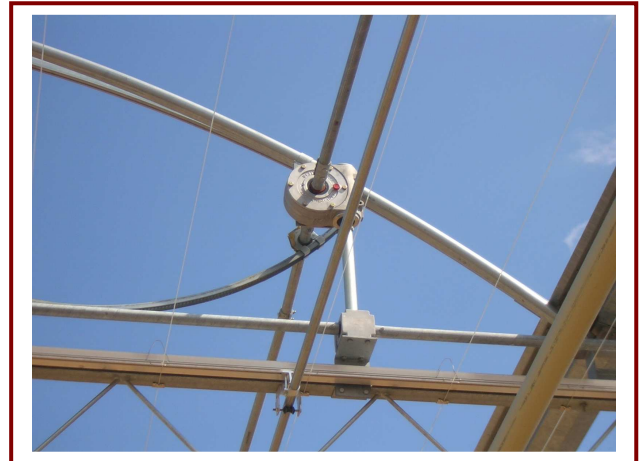
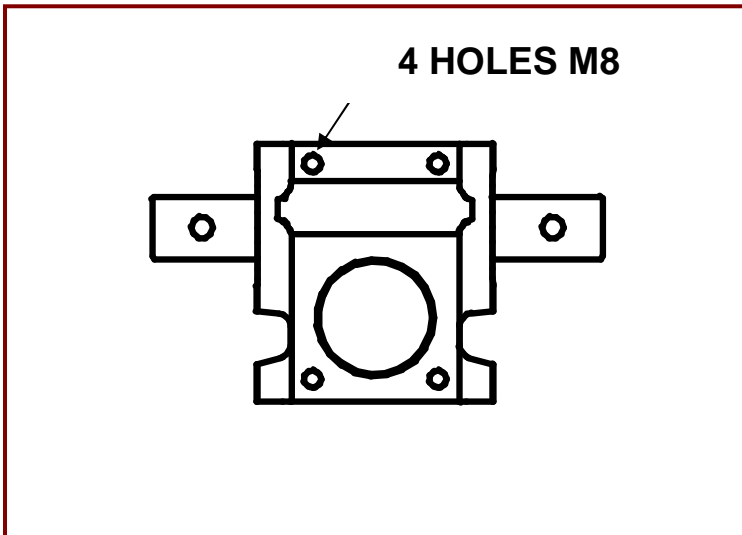
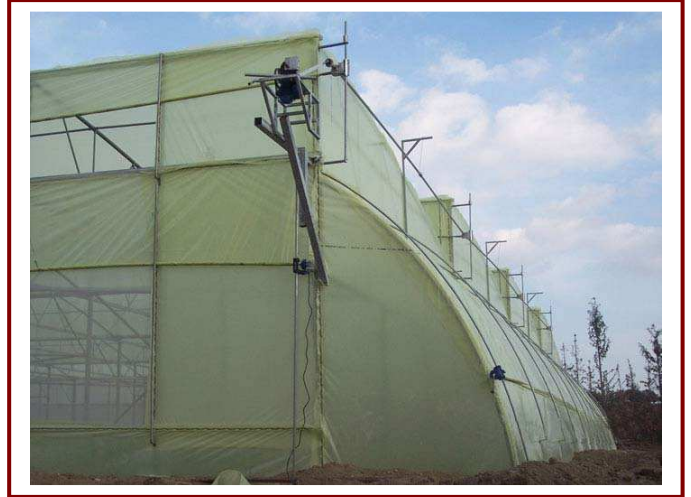


VIALE SISTEMI
Quality Management System Certificate
UNI EN ISO 9001/2000



CORNER TRANSMISSION RA SERIES



**CORNER TRANSMISSION:
2 / 3 / 4 shaft
GEAR RATIO 1:1**

- 2 / 3 / 4 Ways
- Aluminium case for long lasting outdoor conditions
- Gear wheels mounted on ball bearings
- Designed to work in systems where several vents are opened by one gearmotor only.
- Easy install
- Shaft \varnothing 25 mm
- Gear ratio 1:1
- Compact construction

VIALE SISTEMI srl – Via del Piano 72, 18018 – Taggia – IM –Italy
Tel +39-0184/476420-476252 fax: +39 0184 476421
info mail : s.viale@vialesistemi.com / m.digitali@vialesistemi.com
website : www.vialesistemi.com