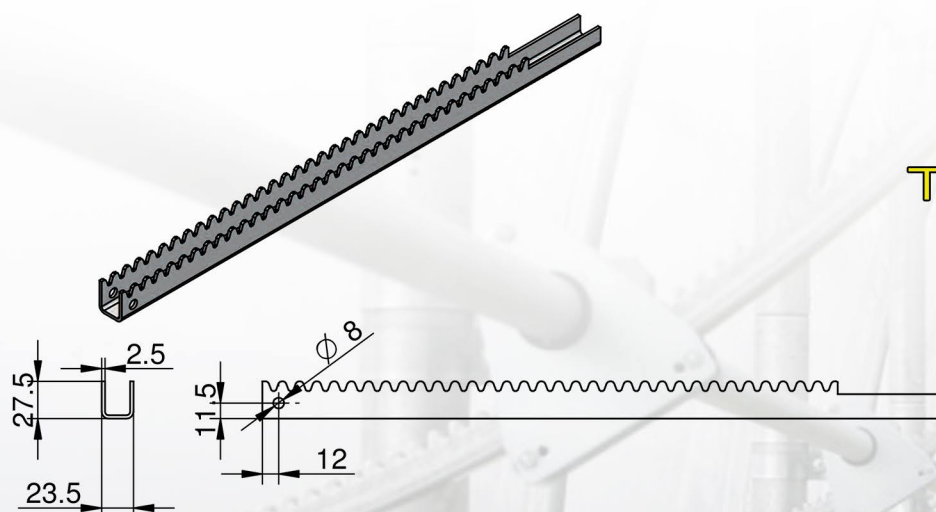


RACKS SERIES CD

metal sheet thickness 2,5 mm

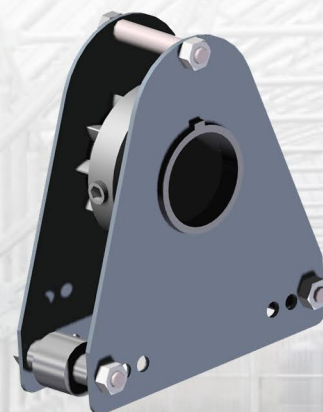
U-Profile Rack with double toothed edges in steel DX51D+Z275, 2.5 mm thickness, and cold-profiling manufactured.

The rounded tooth limits the wearing out and reduces the friction between rack and pinion. The pinion cage, made in galvanized sheet, has 3 locking points that guarantee a firm fastening; its 2 rollers make for a smoother sliding of the bar. The pinion, in self-lubricating synthesized material, is fastened to the driving tube by 2 set of screws 8x12. The high-precision manufacturing of the bar profile makes this rack an excellent product for those who want a high value for money. Our CD Rack is ideal for vents of medium or large dimensions. Its lengths go from 600mm up to 3000mm (straight or curved); maximum curve's length: 1500mm.



CD

TOGETHER WITH



CODE / MODEL / LENGTH			
LENGTH	STRAIGHT RACK	EXTERNAL CURVED RACK	INTERNAL CURVED RACK
785	CD 431/00	CD 531/00	CD 631/00
874	CD 431/01	CD 531/01	CD 631/01
961	CD 431/02	CD 531/02	CD 631/02
1045	CD 431/03	CD 531/03	CD 631/03
1136	CD 431/04	CD 531/04	CD 631/04
1225	CD 431/05	CD 531/05	CD 631/05
1313	CD 431/06	CD 531/06	CD 631/06
1401	CD 431/07	CD 531/07	CD 631/07
1490	CD 431/08	CD 531/08	CD 631/08
1580	CD 431/09		
1665	CD 431/10		
1757	CD 431/11		
1841	CD 431/12		
2017	CD 431/14		
2115	CD 431/15		
2370	CD 431/17		
2460	CD 431/19		
2720	CD 431/22		
2810	CD 431/23		
3070	CD 431/26		